

Sealed Adaptative POE

E00124

E00283

This module provides power to passive PoE Ethernet equipment and transforms non-PoE capable devices into 802.3at/af compliant equipment. Its monolithic design ensure reliability and roughness to meet the worst automotive and industrial requirements. The Deutsch connector allows an easy and quick harness integration. Critical devices can be power using multiples simultaneous power inputs.

General Specifications

Circuit topology	Daisy chained with load
Ethernet ports	2 ports (switch and device port)
Auxiliary port	1 x DC IN / DC OUT

Power Output

Default PoE type	Passive, over data Phantom Power
Default powered pair (M12)	Factory selected pins +7,8 and -5,6
Output voltage	12*, 24 or 48* VDC
Auxiliary output*	Selected output voltage*
Output power budget	Up to 40W limited by input source
Protection	Current limit, over temperature, short.

Power Input

DC input	9 to 60 VDC
AC input* (External Adapter)	90 to 240 VAC*
Default PoE input	Passive 24 to 60 VDC on any pair
PoE+ Input*	IEEE 802.3af and 802.3at compatible
Protection	Overvoltage, transients, load dump.

Network

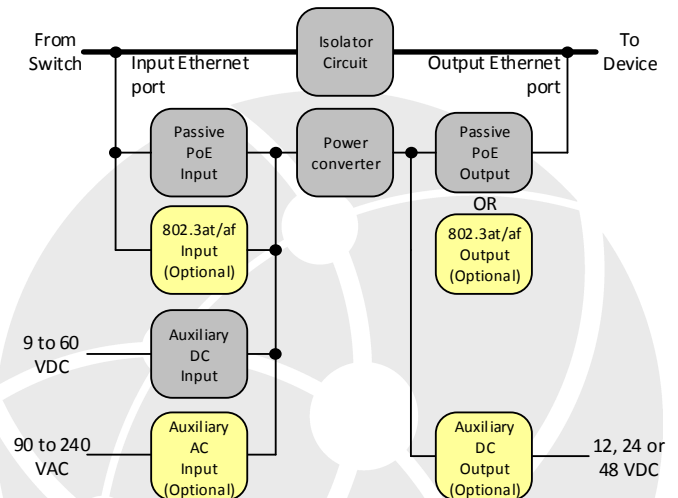
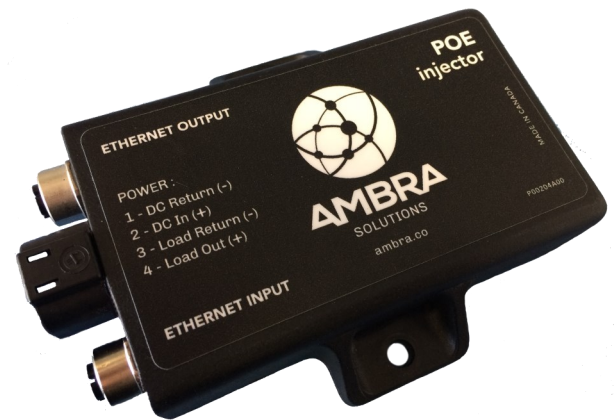
Interface	10/100/1000 Mbps
Protection	Surge on communication lines
Protocol	Any, Ethernet pass through
Configuration	Factory configured, plug and play

Environmental Specifications

Operating	-40°C to +85°C
Storage	-40°C to +85°C
Waterproof protection	Complete, IP67 (potted)

Physical Characteristics

Enclosure Dimensions	4.6" x 3.9" x 1.1" (117mm x 100mm x 28mm)
Connectors	4 positions Deutsch DT(c) serie, M12 X-coded
Enclosure fixations	2 x 3/16" holes



* Available as an option

ORDERING INFORMATION

Product Part Number

E00124

E00283

EXXXXX

Description

Sealed Adaptative PoE 802.3at input compatible

Sealed Adaptative PoE passive injector!

Custom configuration available (see block diagram)

sales@ambra.co
www.ambra.co

1-877-374-3997

AMBRA
SOLUTIONS